



# 750B

## LONG-TRACK DOZER



**SAE Net  
Horsepower**

140 hp  
(104 kW)

**Drive  
System**

Dual-path  
hydrostatic

**Operating  
Weight SAE**

31,530 lb.  
(14,300 kg)

Model shown may include options

## ENGINE

John Deere engineered and manufactured 6-cylinder diesel engine. Replaceable wet-type cylinder liners help ensure superior heat dissipation, longer engine life. High-strength alloy heads include replaceable valve seat inserts. The forged steel, 7-main bearing crankshaft is statically and dynamically balanced for smooth operation. Cast aluminum pistons reduce rod bearing loads and provide vital heat transfer; pistons are sprayed with cooling oil for longer life.

<b>Engine:</b> John Deere 6068T	
Rated power at 2100 rpm.....	140 SAE net hp (104 kW)
	148 SAE gross hp (110 kW)
Turbocharger.....	standard
Cylinders.....	6
Displacement.....	414 cu. in. (6.785 L)
Fuel consumption, typical.....	3.8 to 5.5 gal./hr. (14.4 to 20.8 L/h)
Maximum net torque at 1300 rpm.....	420 lb.-ft. (570 Nm)
Lubrication.....	pressure system with full-flow filters
Air cleaner.....	dry type with restriction indicator
Electrical system.....	24-volt with 40-amp alternator
Cooling fan.....	blower

## TRANSMISSION

Automatic, dual-path, hydrostatic drive provides infinitely variable speeds to 6.5 mph (10.5 km/h). The transmission's load sensing feature automatically adjusts speed and power to match changing load conditions. Each track is powered by a variable displacement piston pump and motor combination. The speed and direction of each track can be individually controlled.

## TRAVEL SPEEDS

Forward and reverse.....infinite to 6.5 mph (0 to 10.5 km/h)

## FINAL DRIVES

Double-reduction, planetary final drives transfer torque loads over three gear sets instead of one. The final drives are mounted independently of the track frames to isolate them from shock loads for increased life and reliability.

## BRAKES

Hydrostatic (dynamic) braking stops the crawler when the transmission control lever is moved to neutral. Wet, multi-disk parking brakes are automatically applied when the engine stops, or can be operator-applied by engaging the center brake pedal.

## STEERING

Steering is done hydrostatically by varying track speed and/or direction. Depressing a pedal slows or varies the speed of the track, all the way to a stop if desired. Continuing to depress the pedal will cause the track to reverse for counterrotation. Hydrostatic steering eliminates the need for steering clutches and steering brakes, as well as the need for cross-steering when working on steep slopes.

## HYDRAULICS

System.....	open center
Pressure.....	2000 psi (13 790 kPa)
Pump.....	vane
Flow at 2100 rpm.....	38 gpm (144 L/min.)

## TRACKS

7-roller, 101-in. (2565 mm) track frame with front and rear track guides and sprocket guard. Dura-Trax™ undercarriage features deep-heat-treated, sealed and lubricated track links and through-hardened sealed and lubricated rollers for maximum wear resistance.

Grouser.....	22 in. (560 mm)
Shoes, each side.....	43
Ground contact area with 22-in. (560 mm) shoes.....	4444 sq. in. (28 680 cm <sup>2</sup> )
Ground pressure.....	7.1 psi (49 kPa)
Ground clearance, minimum.....	14 in. (356 mm)
Length of track on ground.....	101 in. (2565 mm)
Track gauge, standard.....	74 in. (1880 mm)
Oscillation.....	11.5 in. (292 mm)
Carrier rollers each side.....	2
Adjustment.....	hydraulic

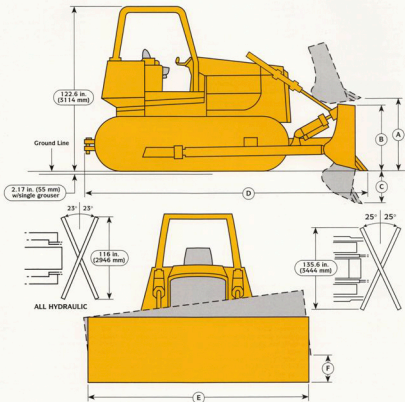
## CAPACITIES

Fuel tank.....	75 gal. (276.5 L)
Cooling system.....	7 gal. (26.5 L)
Crankcase.....	18 qt. (17 L)
Crankcase, including filter.....	20 qt. (19 L)
Splitter drive.....	1.5 gal. (5.7 L)
Final drive each: 1st reduction.....	8.5 gal. (32.2 L)
2nd reduction.....	3.5 gal. (13.2 L)
Hydraulic system.....	35 gal. (125 L)
Hydrostatic drives.....	35 gal. (125 L)

## OPERATING WEIGHT

750B Long-Track.....	31,550 lb. (14 300 kg)
----------------------	------------------------

# DIMENSIONS\*



\*Drawing based on 750B Long-Track w/Semi U

## DOZER SPECIFICATIONS

Blade Capacity per SAE J1265	A Blade Lift Height	B Blade Height	C Digging Depth		D Overall Length (Tractor with Blade)		E Overall Width** (Tractor with Blade)		F Maximum Tilt	Weight	Total Operating Weight (Tractor with Blade)							
			in.	(mm)	in.	(mm)	in.	(mm)			in.	(mm)	lb.	(kg)	lb.	(kg)		
Blade	yd <sup>3</sup>	(m <sup>3</sup> )	in.	(mm)	in.	(mm)	in.	(mm)	in.	(mm)	lb.	(kg)	lb.	(kg)				
Straight	2.93	2.24	42.2	1072	38	965	20.2	513	198	5024	125	3175	15.5	394	3795	1721	31,105	14,105
Semi U	4.33	3.31	42.2	1072	43.5	1100	20.2	513	207	5263	126	3200	15.5	394	4225	1916	31,530	14,302
Angle	3.37	2.58	39.3	998	38.4	975	23.8	604	200	5090	154	3912	12.75	324	4575	2075	31,880	14,460
All Hydraulic	3.18	2.43	36	914	40	1016	30	762	210	5345	126	3210	14.25	362	5820	2640	33,125	15,025

\*\*Includes cupped end bit

## HYDROSTATIC DRIVETRAIN

Dual-path hydrostatic drive provides many advantages over mechanical crawler drivetrains in the areas of machine performance and reliability.

**Live power turns.** Both tracks remain fully powered during turns. This affords greater maneuverability with larger loads and less ground disturbance. This feature also provides improved capability for working on soft ground, as well as the ability to counterbalance blade-corner loads when benching, ditching or backfilling.

**Counterrotation.** Separate control allows the two transmissions to be driven in opposite directions, permitting spot turns with excellent maneuverability. Quick blade position changes can be made.

**Infinite speed selection.** Infinitely variable ground speeds, from 0 to 6.5 mph (0-10.5 km/h), allow precise matching of machine speed to your application. Ground speed can be reduced without slowing engine rpm, so hydraulic power remains high and response time remains fast.

**Automatic load sensing.** As a load increases and engine rpm lessens, the transmission automatically reduces ground speed to

match load changes. This feature works at all throttle settings, providing full drawbar pull even at reduced engine speed.

**Dynamic braking.** Positive speed reduction is provided on slopes. When shifted to neutral, oil flow between the pump and motor is blocked. The crawler stops without use of the service brakes.

**Efficiency.** Overall, hydrostatic drive is more efficient in delivering horsepower to the tracks than systems that use torque converters. The greatest efficiency advantages are in the 1.5 to 3.5 mph (2.4 to 5.6 km/h) range, the main work speed range of a crawler dozer.

**Simplicity.** Hydrostatic drive design uses, on the average, 150 fewer parts than the design of an ordinary drive system. Fewer parts mean increased reliability. Some of our hydrostatic drive crawlers have accumulated more than 35,000 hours of use without any major transmission repairs.

## FORESTRY APPLICATION

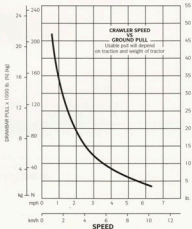
The 750B Long-Track Dozer can be equipped for forestry applications with the addition of limb risers and screens for the rollover protective structure.

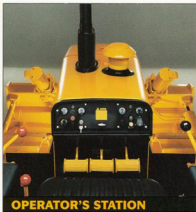


## DRAWBAR PULL

Drawbar pull

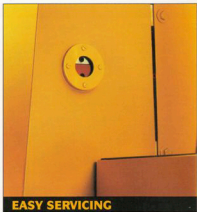
At 1.2 mph (1.9 km/h) .....	30,800 lb. (137 kN)
At 2.0 mph (3.2 km/h) .....	19,100 lb. (85 kN)





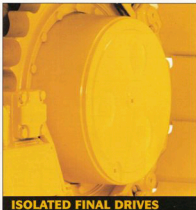
### OPERATOR'S STATION

The 750BLT features a roomy, walk-through platform design. Controls are logically located, with transmission and throttle levers on your left and hydraulic levers on the right. Steering is done with easy-to-push pedals. Easy-to-read, color-coded, non-glare gauges are placed well within your forward field of vision.



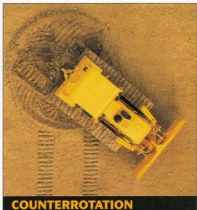
### EASY SERVICING

Convenient, exterior-mounted sight gauges provide a quick reading of hydrostatic and hydraulic fluid levels. The engine fluid and air filter restriction indicators are visible through doors on top of the hood. The dual-state, dry-type aspirated air cleaner nearly triples filter life, as well as eliminating daily servicing.



### ISOLATED FINAL DRIVES

The double-reduction planetary final drives transfer torque loads over three gear sets instead of one. They're mounted independently of the track frames. This keeps shock loads away from the final drives and other vital drivetrain components. Modular design makes servicing easy.



### COUNTERROTATION

The dual-path hydrostatic design lets you counterrotate the tracks to turn the machine all the way around in the same spot—a big plus on small jobsites and in close quarters. There's less need to run in reverse, too, which helps the machine's undercarriage last longer.

## ADDITIONAL STANDARD EQUIPMENT

**Engine:**  
Air cleaner, dual-stage aspirated type  
Air cleaner restriction indicator  
Precleaner  
Fan guards  
Engine coolant -34°F (-37°C)  
Coolant recovery tank  
Blower fan  
Trash resistant radiator  
Oil to water engine oil cooler  
**Power Trains:**  
Dual-path hydrostatic transmission  
Less clutch disconnect

Transmission neutral lock with  
starter safety switch  
Transmission oil cooler  
**Hydraulics:**  
Two-speed hydraulic system  
"O" ring face seal connectors  
Lift cylinders  
**Electrical System:**  
Master electrical disconnect switch  
Horn  
Winch drive  
Reverse warning alarm

**Operator's Station:**  
Canopy (ROPS) with seat belt  
Adjustable suspension seat  
Adjustable armrests  
Horn  
Push button starting  
Key switch  
Hourmeter  
Voltmeter  
Interior-mounted rearview mirror  
**Overall Vehicle:**  
Heavy-duty bottom guards, front  
and rear

Lower engine side shields  
Front pull hook  
Front idler shields  
Heavy-duty, hinged grille plate  
Lockable toolbox  
Muffler, self-draining, eliminating  
external rain cap  
Tilt cylinder hose protection  
Vandal protection  
**Tracks:**  
Dura-Trax sealed and lubricated chain  
22-in. (560 mm) grouser shoes

## OPTIONAL OR SPECIAL EQUIPMENT WITH WEIGHTS

(Add these weights to SAE standard equipment operating weights to obtain total operating weights.)

	lb.	kg		lb.	kg
Batteries (two 12-volt) cold-cranking capacity @ 0°F [-18°C] 925 amps, reserve capacity 180 min. each	18	8	Lights, two front, one rear, halogen	7	3
Cab with pressurizer and heater	400	182	Pedal extensions	7	3
Air conditioner	109	49	Protection items:		
Windshield wiper	3	1	Brush screens, heavy-duty, third post-type	191	87
Cold weather starting aid	4	2	Brush screens, regular-duty	72	33
Cupped end bits	10	4	Guards, lift cylinder	45	20
Dozers (Included in total operating weight)			Guards, tank protection	650	295
Power angle tilt dozer, 126 in. (3.20 m)	+195	+724	Guards, final-drive seal	38	17
Straight dozer, 120 in. (3.05 m)	-430	-195	Lift risers	281	127
*Semi U dozer, 126 in. (3.20 m)	0	0	Perforated engine enclosures, heavy-duty	87	40
Angle dozer, 150 in. (3.81 m)	+350	+160	Rear screen	50	23
Disconnect clutch	20	9	Roof extension	475	215
*Drawbar, fixed	199	90	Tilt cylinder hose protection	3	1
Engine coolant heater	2	1	Radiator sand shield	25	11
Fan, reversible	58	17	Rock guard, center-section	265	120
Fire extinguisher	6	3	Tracks:		
Hydraulics:			Dura-Trax lubricated chain w/sgt master link		
Hydraulic lines to rear	4	2	18-in. (460 mm) grouser shoes	-464	-210
Hydraulic valve, third function	15	7	20-in. (510 mm) grouser shoes	-232	-105
Selector valve and lines to rear	14	6	24-in. (600 mm) grouser shoes	+232	+105
Oil sampling test kit	2	1	(use only with SU blade)		
Quick-drop valve	30	14	*Included in operating weight		

## THE JDAdvantEDGE

JDAdvantEdge is a wealth of support programs, parts systems and dealer resources, all designed to give you the edge. This package of special benefits is a major reason why John Deere offers the "best value" for your equipment dollar.

**Best parts support** - Twelve regional parts depots in North America and others around the world put parts support near your job no matter where in the world it is.

A computerized FLASH™ parts locating system linking these depots to dealerships can find out-of-stock parts in a hurry and get them into your hands fast. Usually within 24 hours.

**Best service backup** - Dealer service technicians are regularly schooled, at our modern facility in Davenport, Iowa, or by professionals in the field, to diagnose quickly and repair efficiently.

If they're stumped, a phone call to DTAC (Dealer Technical Assistance Center) puts them in touch with a staff of pros at the factory who help them find a solution quickly.

**Best dealers** - Your John Deere dealer is an important contributor to the JDAdvantEdge. He or she is committed to being the best equipment supplier you can work with.

This is a dollars-and-cents commitment in parts inventory, in service facilities, in field service trucks. It's a sweat-and-blood commitment in dedicated, skilled and highly trained and motivated personnel in each and every department at the dealership.

But what sets John Deere dealers apart from all the rest is something more, a factor somewhat difficult to measure... a caring attitude, and a sincere desire to be the best at meeting the needs of each individual customer.

**John Deere Finance Plans** - Whether you rent, lease or buy John Deere equipment, your dealer can explain the John Deere options available. One-stop options that let you free up operating capital, keep other lines of credit open. More solid benefits of the JDAdvantEdge.

**Best protection** - In addition to the new equipment warranty that meets or exceeds the competition, SECURE® extended coverage, an optional service product for John Deere equipment, is available for repair coverage after the warranty concludes. Full machine or power train coverage is available for a variety of time periods to meet your needs. Consult your dealer for availability and details.



Net engine power is with standard equipment including air cleaner, exhaust system, alternator, and cooling fan, at standard conditions per SAE J1549 and DIN 62708, using No. 2-D fuel at 35 API gravity. No derating is required up to 10,000 feet (3050 m) altitude. Gross power is without cooling fan.

Specifications and design subject to change without notice. Wherever applicable, specifications are in accordance with SAE standards. Except where otherwise noted, these specifications are based on a unit with rollover protective canopy, 22-in. (560 mm) grouser, engine enclosure, drawbar, front pull hook, full fuel tank, 175-lb. (79 kg) operator and standard equipment.

